

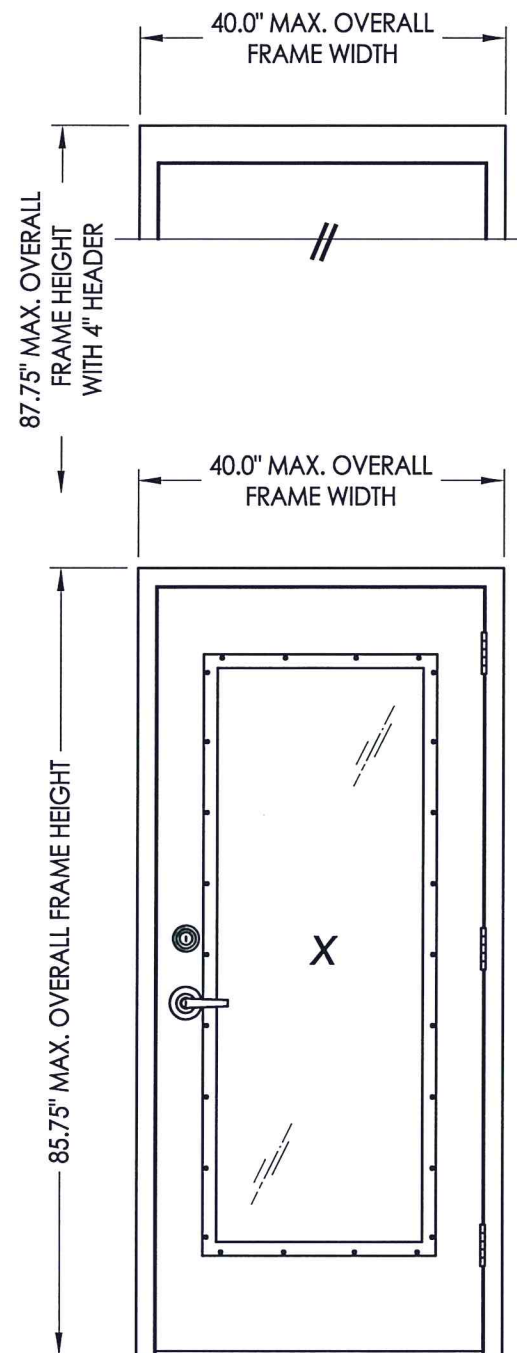
"D" SERIES COMMERCIAL STEEL DOOR OUTSWING "IMPACT"

GENERAL NOTES

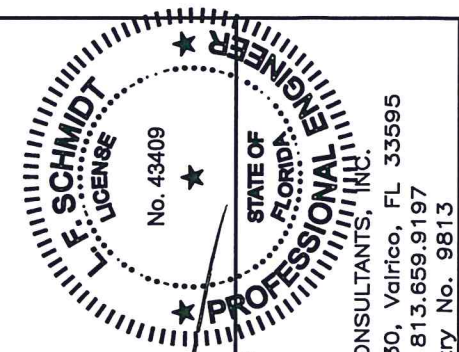
1. This product has been evaluated and is in compliance with the 7th Edition (2020) Florida Building Code (FBC) structural requirements including the "High Velocity Hurricane Zone" (HVHZ).
2. Product anchors shall be as listed and spaced as shown on details. Anchor embedment to base material shall be beyond wall dressing or stucco.
3. When used in the "HVHZ", this product complies with Section 1626 of the Florida Building Code and does not require an impact resistant covering.
4. Site conditions that deviate from the details of this drawing require further engineering analysis by a licensed engineer or registered architect.
5. Outswing configurations using sill item #40 and #42 do not meet the water infiltration requirements for the "HVHZ" and shall be installed only in non-habitable areas or at habitable locations protected by an overhang or canopy such that the angle between the edge of canopy or overhang to sill is less than 45 degrees.
6. All steel shall be protected as specified in Section 2222.6 of the FBC.


TABLE OF CONTENTS


SHEET #	DESCRIPTION
1	Typical elevation, design pressures & general notes
2	Door panel details
3	Horizontal cross sections
4	Vertical cross sections
5	Anchoring details
6	Components
7	Bill of materials, glazing details & components



OVERALL FRAME DIMENSION	OVERALL D.L.O. DIMENSION	DESIGN PRESSURE (PSF)	
		POSITIVE	NEGATIVE
40.0" x 85.75"	22.5" x 62.5"	+65.0	-70.0




 November 15, 2022
 Documents Prepared By:
 Lyndon F. Schmidt
 P.E. No. 43409


 BUILDING CONSULTANTS, INC.
 P.O. Box 230, Vairico, FL 33595
 Phone No.: 813.659.9197
 FBPE Registry No. 9813

PRODUCT:
 PREMIER PRODUCTS, INC.
 "D" STEEL DOOR

PART OR ASSEMBLY:
 TYPICAL ELEVATION, DESIGN PRESSURES & GENERAL NOTES

NO.	DATE	BY	REVISIONS

DATE: 11/10/22

SCALE: N.T.S.

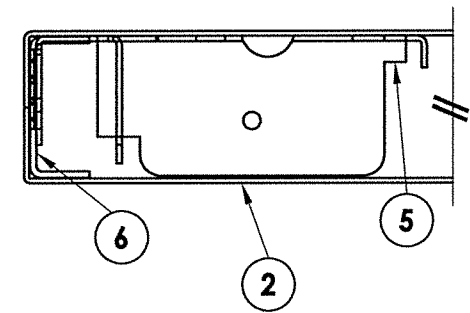
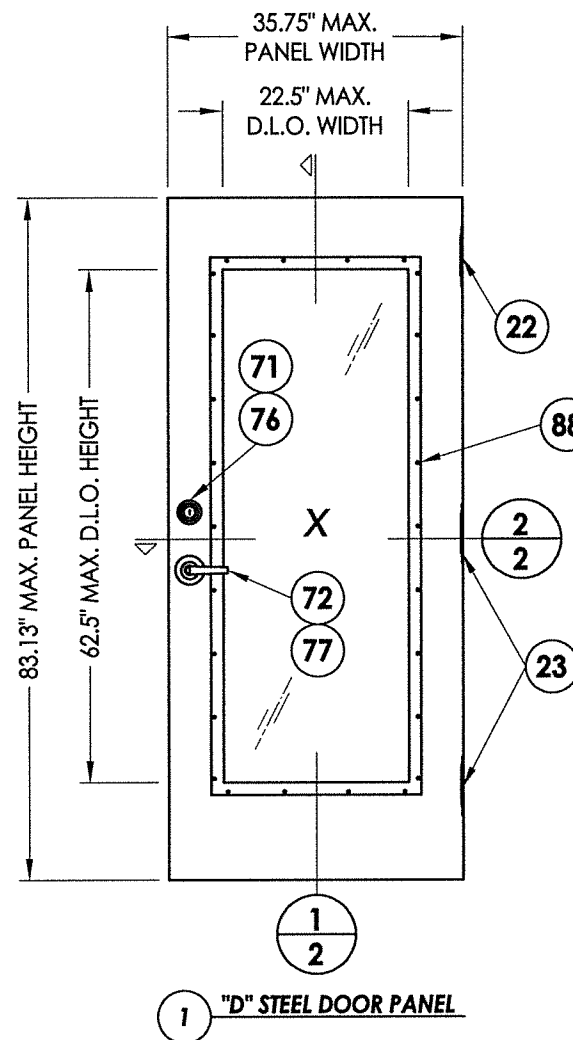
DWG. BY: LFS

CHK. BY: RW

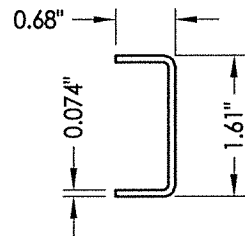
DRAWING NO.:

FL-41788.18

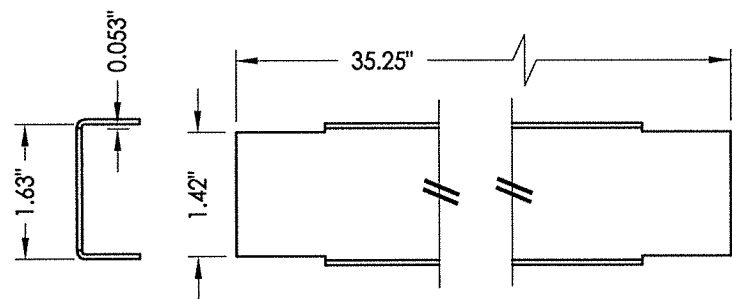
SHEET 1 OF 7



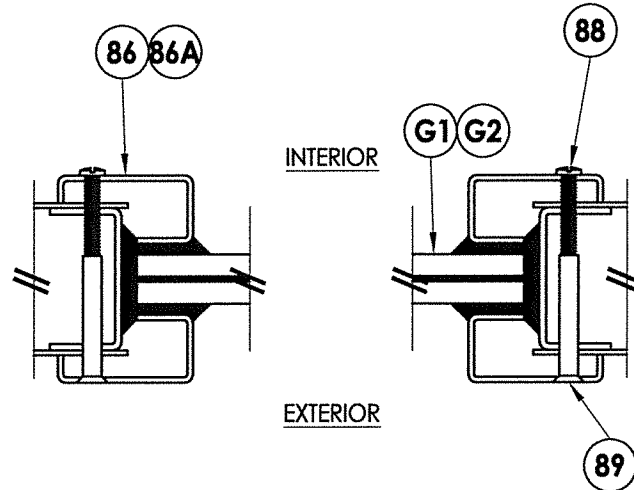
88 Glass stop retaining screws
2" from corners and
7-3/4" max. o.c.



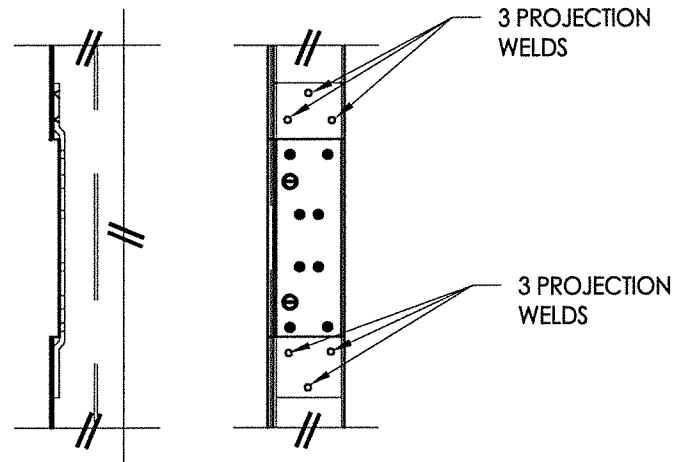
6 DOOR STILE EDGE Reinforcement



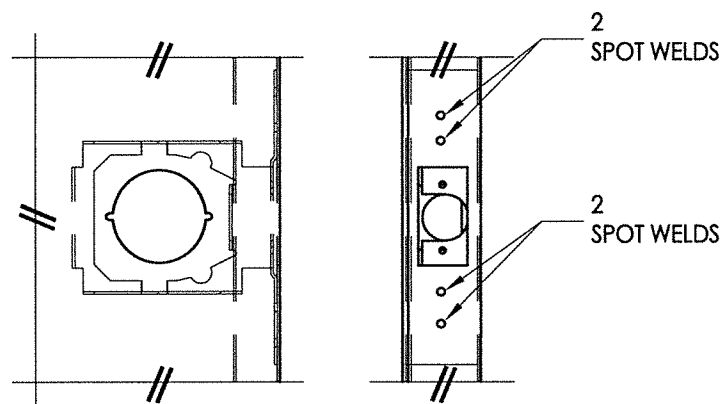
4 DOOR TOP & BOTTOM CLOSER



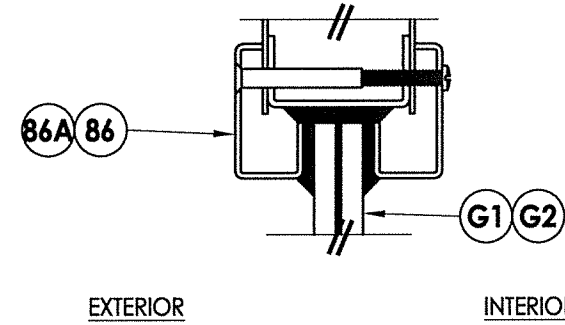
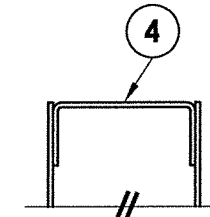
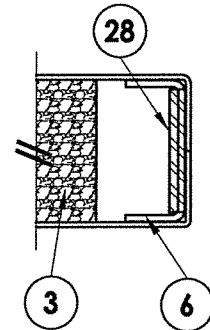
2 HORIZONTAL CROSS SECTION



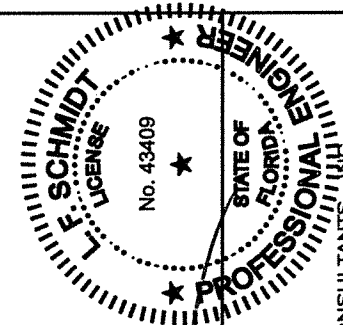
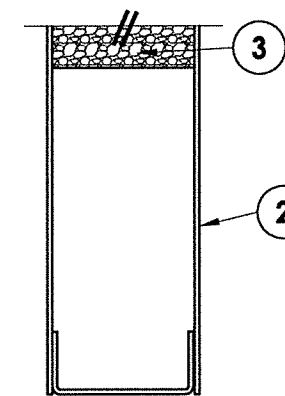
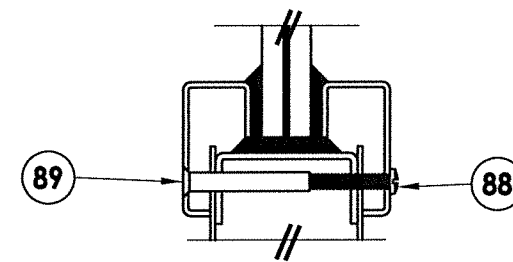
23 DOOR HINGE REINFORCEMENT



5 LOCK BOX REINFORCEMENT



1 VERTICAL CROSS SECTION



November 15, 2022
Documents Prepared By:
Lyndon F. Schmidt
P.E. No. 43409

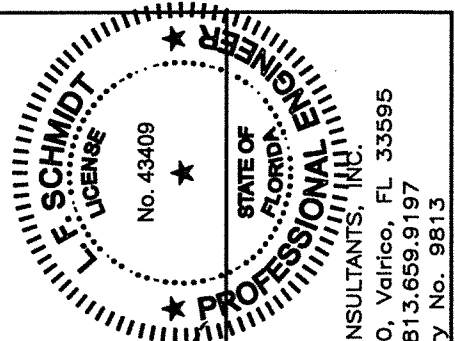
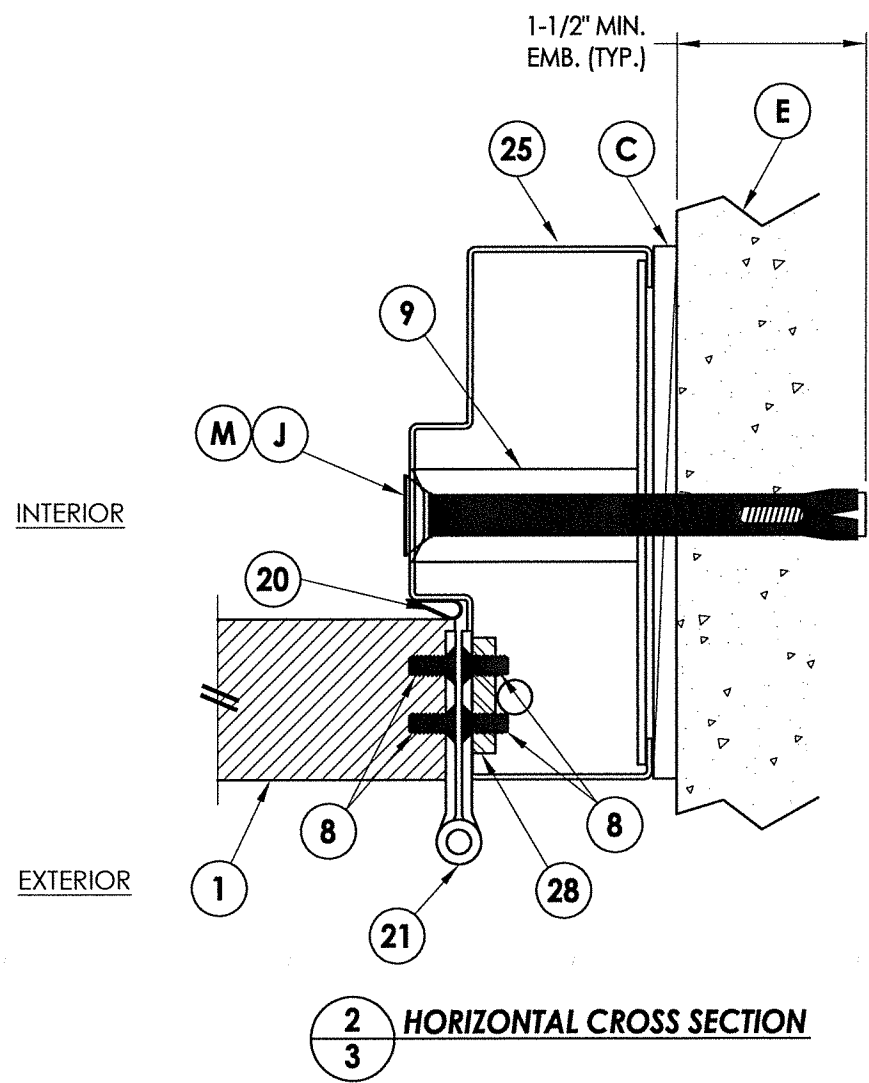
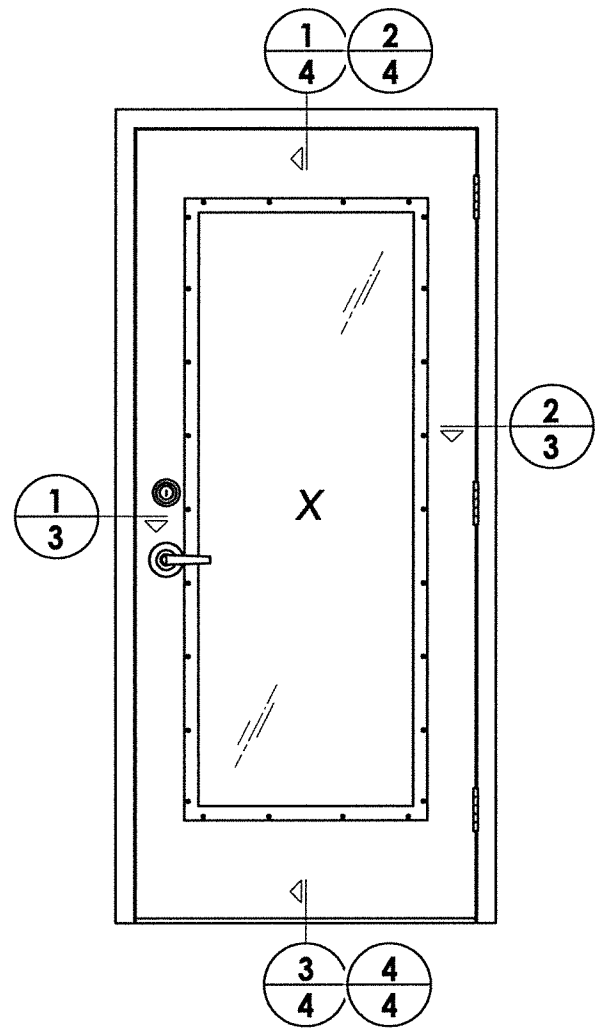
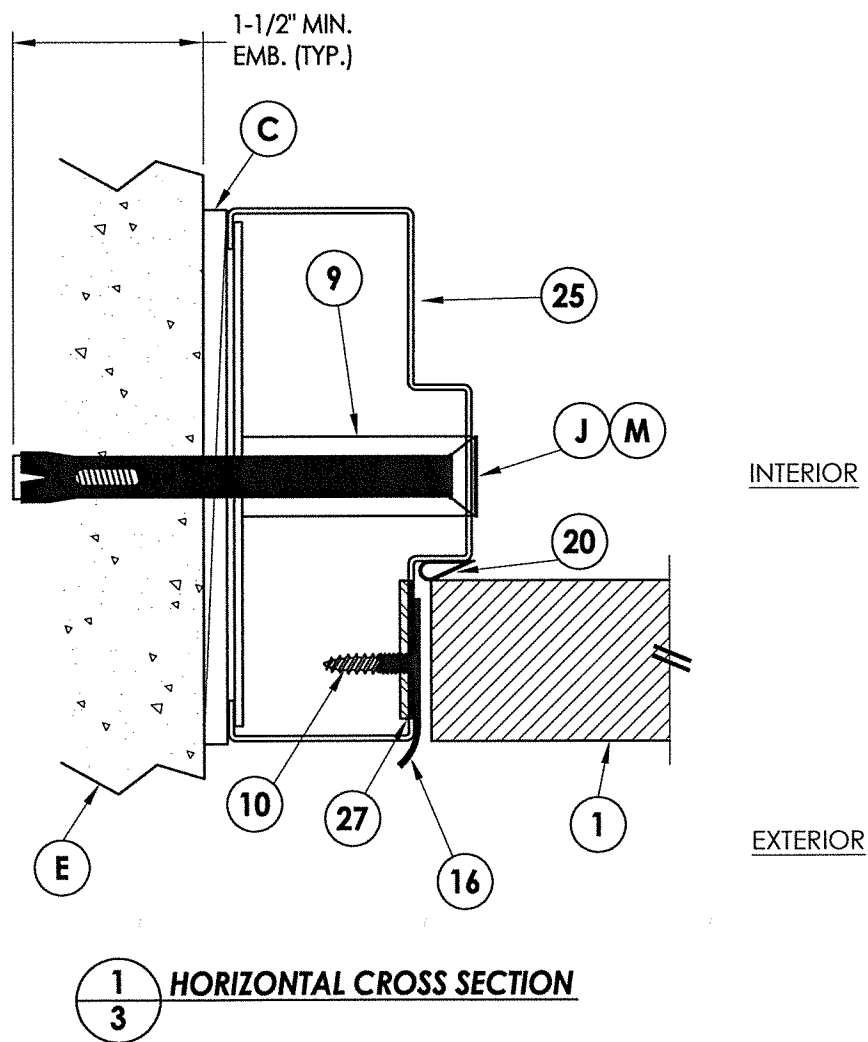
RW BUILDING CONSULTANTS, INC.
P.O. Box 230, Valrico, FL 33595
Phone No.: 813.659.9197
FBPE Registry No. 9813

PRODUCT:
PREMIER PRODUCTS, INC.
"D" STEEL DOOR

PART OR ASSEMBLY:
DOOR PANEL DETAILS

NO.	DATE	BY

DATE: 11/10/22
SCALE: N.T.S.
DWG. BY: LFS
CHK. BY: RW
DRAWING NO.: FL-41788.18
SHEET 2 OF 7



November 15, 2022
Documents Prepared By:
Lyndon F. Schmidt
P.E. No. 43409

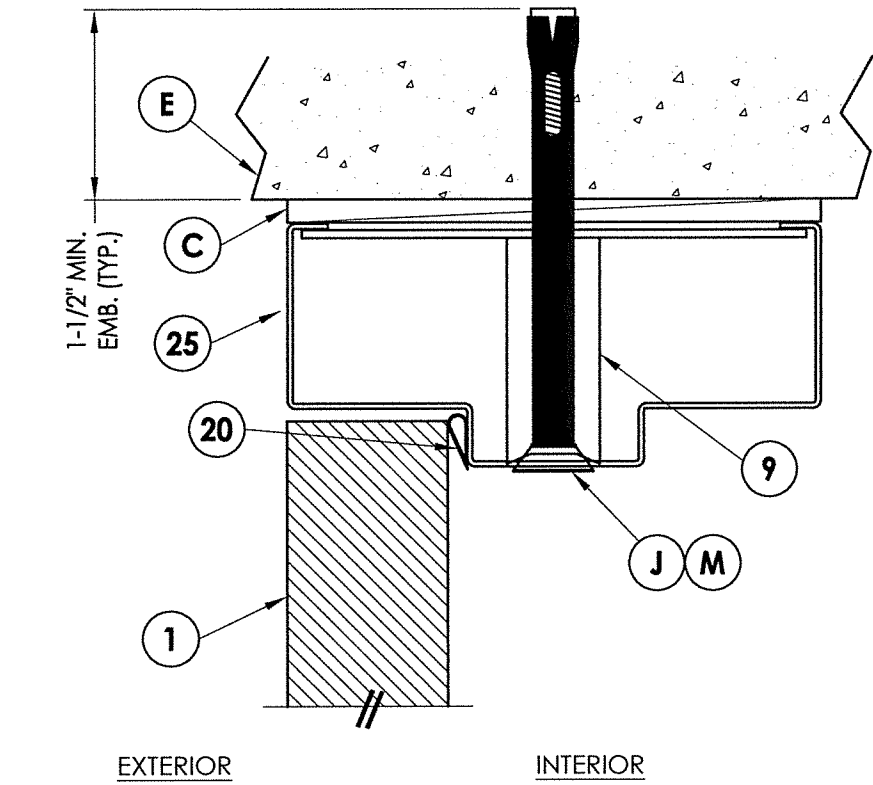
RW
BUILDING CONSULTANTS, INC.
P.O. Box 230, Valrico, FL 33596
Phone No.: 813.659.9197
FBPE Registry No. 9813

PRODUCT:
PREMIER PRODUCTS, INC.
"D" STEEL DOOR

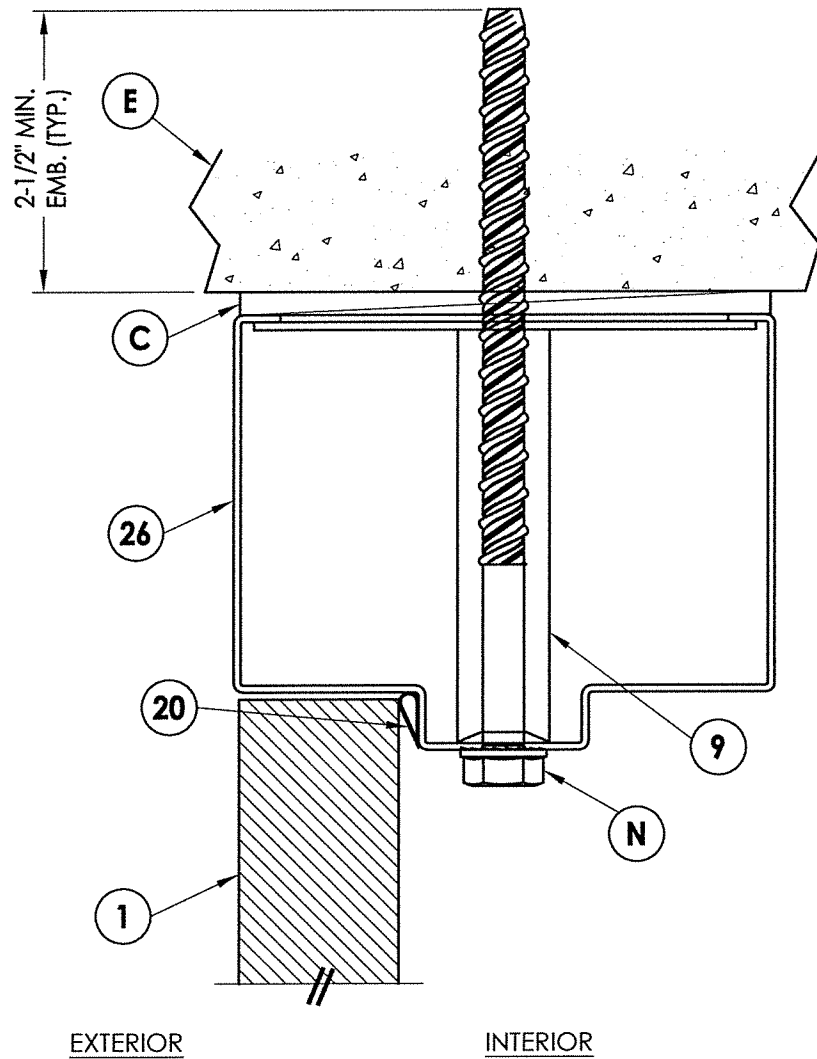
PART OR ASSEMBLY:
HORIZONTAL
CROSS SECTIONS

NO.	DATE	REVISIONS	BY

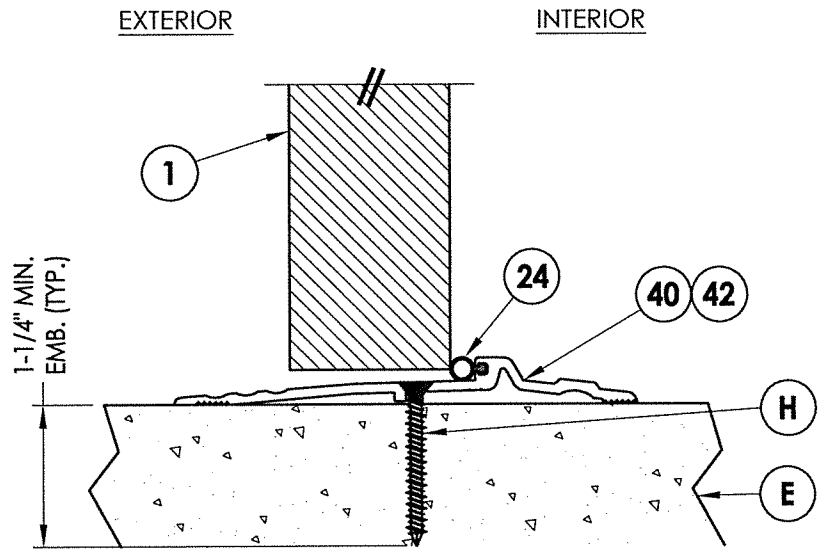
DATE: 11/10/22
SCALE: N.T.S.
DWG. BY: LFS
CHK. BY: RW
DRAWING NO.: FL-41788.18
SHEET 3 OF 7



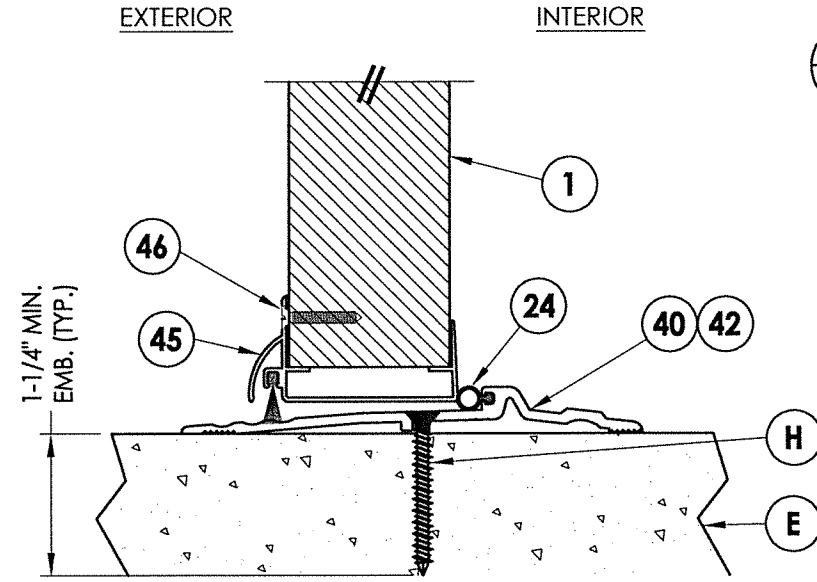
1
4 VERTICAL CROSS SECTION



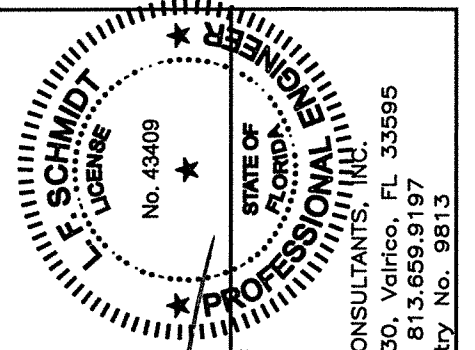
2
4 VERTICAL CROSS SECTION



3
4 VERTICAL CROSS SECTION



4
4 VERTICAL CROSS SECTION

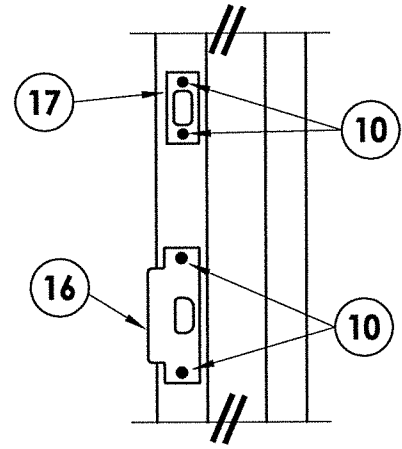


November 15, 2022
 Documents Prepared By:
 Lyndon F. Schmidt
 P.E. No. 43409
 R.W. BUILDING CONSULTANTS, INC.
 P.O. Box 230, Valrico, FL 33595
 Phone No.: 813.659.9197
 FBPE Registry No. 9813

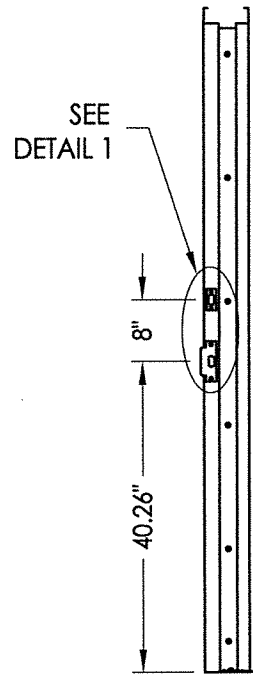
PRODUCT: PREMIER PRODUCTS, INC. "D" STEEL DOOR
 PART OR ASSEMBLY: VERTICAL CROSS SECTIONS

NO.	DATE	REVISIONS	BY

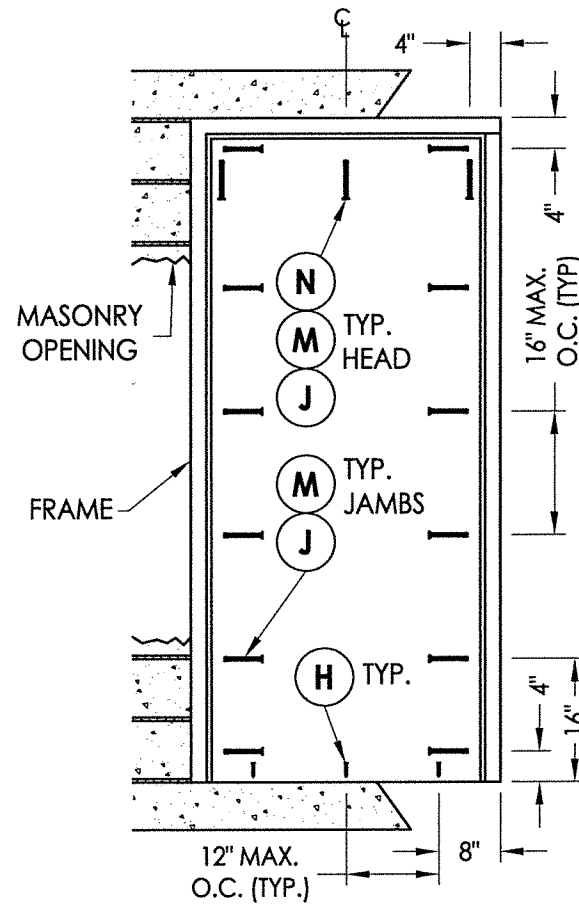
DATE: 11/10/22
 SCALE: N.T.S.
 DWG. BY: LFS
 CHK. BY: RW
 DRAWING NO.: FL-41788.18
 SHEET 4 OF 7



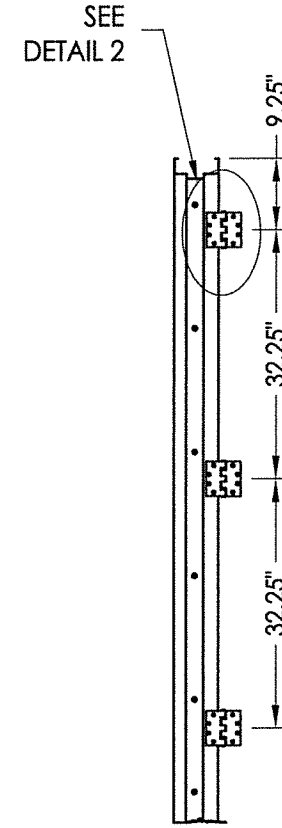
DETAIL 1



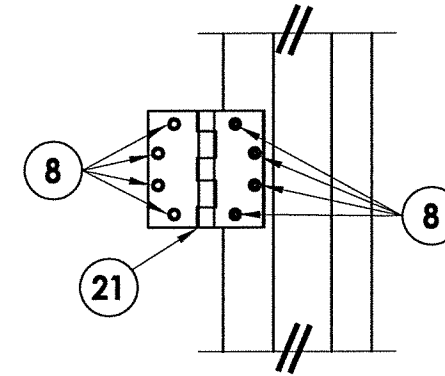
STRIKE JAMB



FRAME ANCHORING



HINGE JAMB

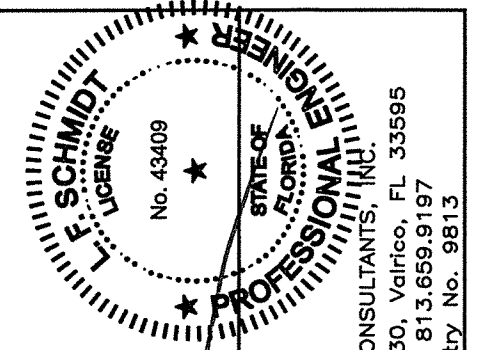


DETAIL 2

ANCHOR NOTES:

1. Substitution of equal concrete screws from a different supplier may have different edge distance and center distance requirements.
2. Concrete screw locations at the corners may be adjusted to maintain the minimum edge distance to mortar joints. If concrete screw locations noted as "MAX. ON CENTER" must be adjusted to maintain the minimum edge distance to mortar joints, additional concrete screws may be required to ensure the maximum on center dimension is not exceeded.
3. Concrete Anchor Table:

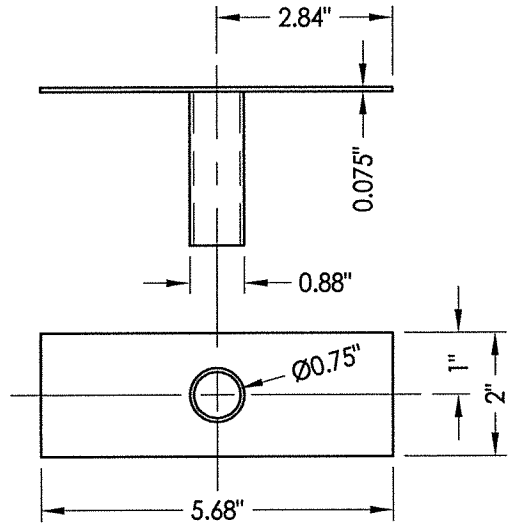
ANCHOR TYPE	ANCHOR SIZE	MINIMUM EMBEDMENT	MINIMUM CLEARANCE TO MASONRY EDGE	MINIMUM CLEARANCE TO ADJACENT ANCHOR
ITW TAPCON®	1/4"	1-1/4"	2-1/2"	4"
DYNABOLT SLEEVE ANCHOR	3/8"	1-1/2"	2-1/4"	4-1/2"
POWERS TAPPER	3/8"	1-1/2"	4"	3-3/4"
SCREW-BOLT+™	1/2"	2-1/2"	6"	6"



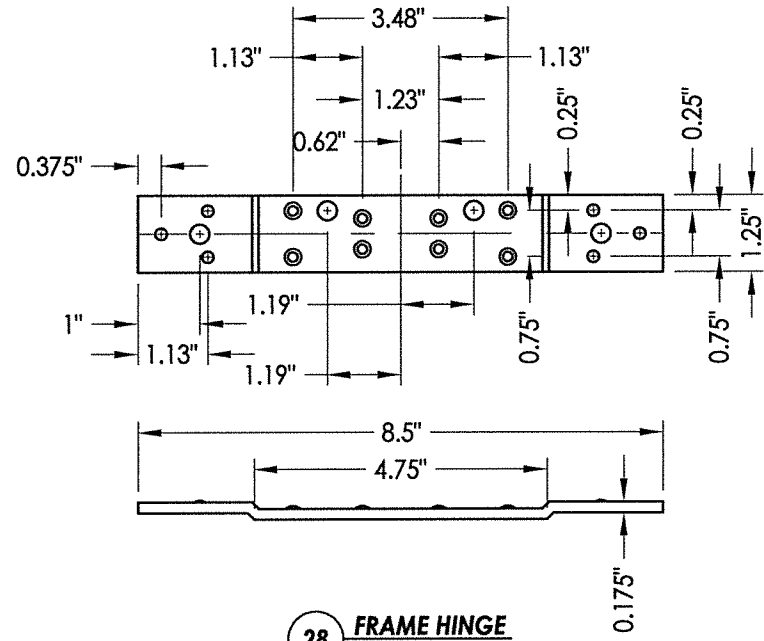
November 15, 2022
 Documents Prepared By:
 Lyndon F. Schmidt
 P.E. No. 43409
 R.W. BUILDING CONSULTANTS, INC.
 P.O. Box 230, Valrico, FL 33595
 Phone No.: 813.659.9197
 FBPE Registry No. 9813

PRODUCT: PREMIER PRODUCTS, INC. "D" STEEL DOOR		PART OR ASSEMBLY: ANCHORING DETAILS	
NO.		DATE	
BY		REVISIONS	

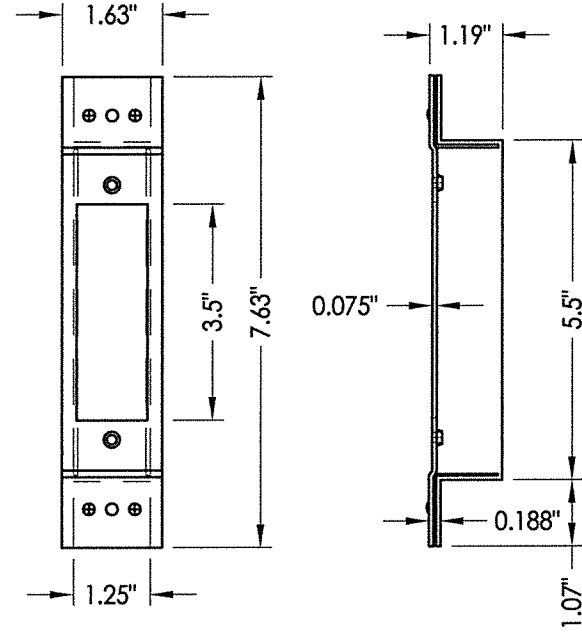
DATE: 11/10/22
 SCALE: N.T.S.
 DWG. BY: LFS
 CHK. BY: RW
 DRAWING NO.: FL-41788.18
 SHEET 5 OF 7



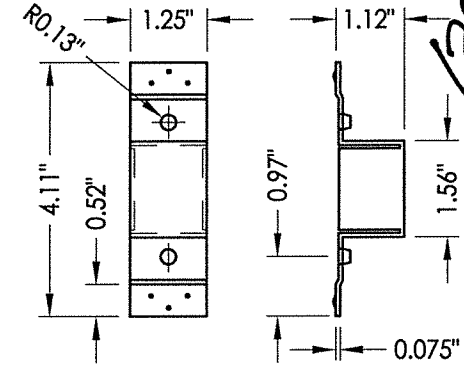
9 TUBE ANCHOR



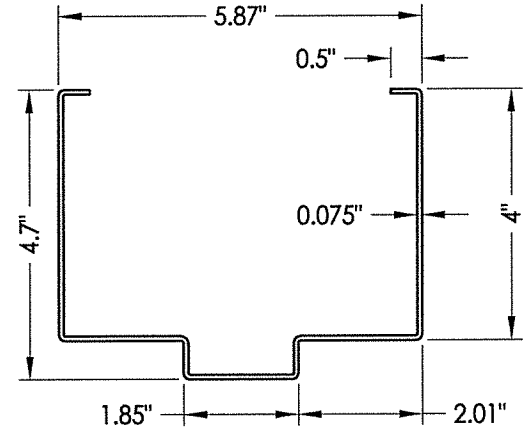
28 FRAME HINGE Reinforcement



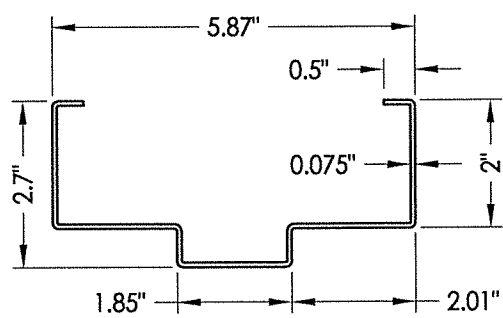
27 LATCH STRIKE REINFORCEMENT



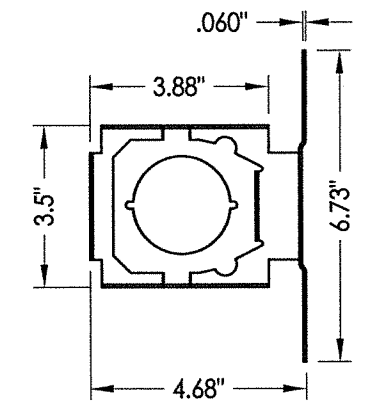
19 DEADBOLT STRIKE REINFORCEMENT



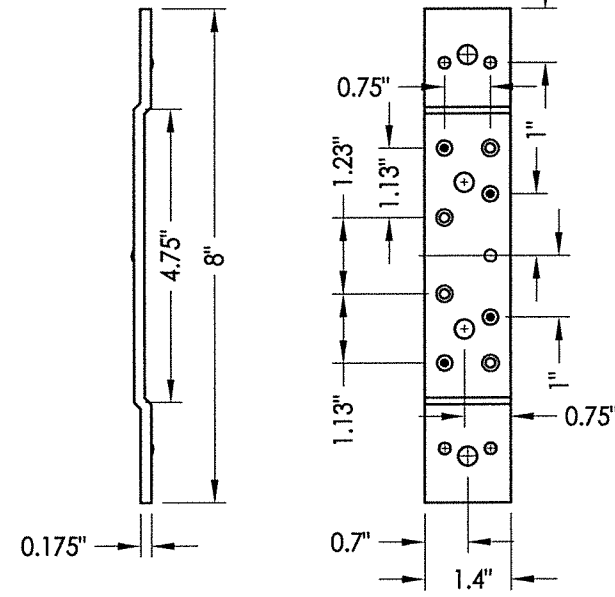
26 FRAME



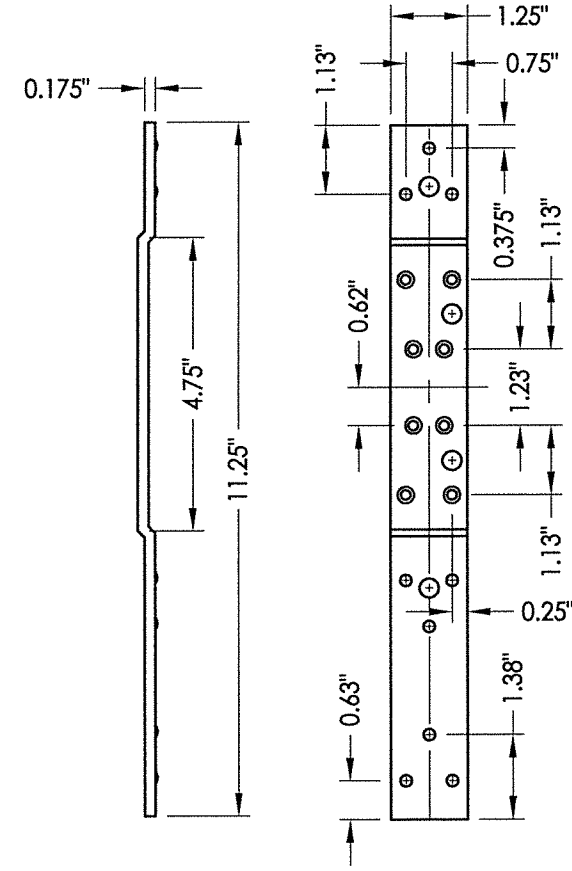
25 HOLLOW METAL FRAME



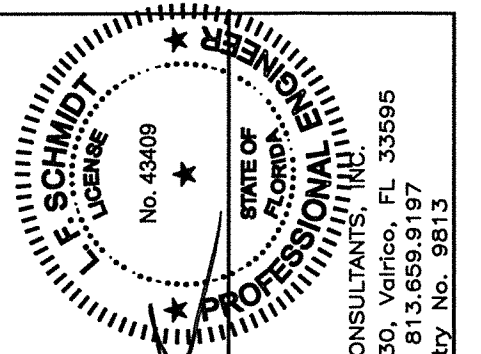
5 LOCK BOX REINFORCEMENT



23 STANDARD (SHORT) DOOR HINGE Reinforcement middle and bottom hinge



22 STANDARD (LONG) DOOR HINGE Reinforcement top hinge



November 15, 2022
 Documents Prepared By:
 Lyndon F. Schmidt
 P.E. No. 43409
 R.W.
 BUILDING CONSULTANTS, INC.
 P.O. Box 230, Valrico, FL 33595
 Phone No.: 813.659.9197
 FBPE Registry No. 9813

PRODUCT:
 PREMIER PRODUCTS, INC.
 "D" STEEL DOOR
 PART OR ASSEMBLY:
 COMPONENTS

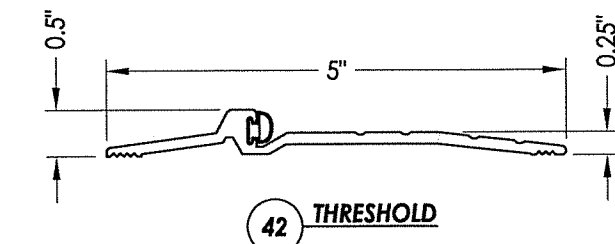
NO.	DATE	BY	REVISIONS

DATE: 11/10/22
 SCALE: N.T.S.
 DWG. BY: LFS
 CHK. BY: RW
 DRAWING NO.: FL-41788.18
 SHEET 6 OF 7

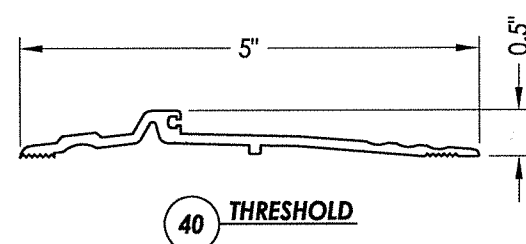
Z:\Clients\Premier Products PERMANENTVA - Florida Product Approvals\FL-41788C - Drawings\FL-41788C - 23.dwg

BILL OF MATERIALS

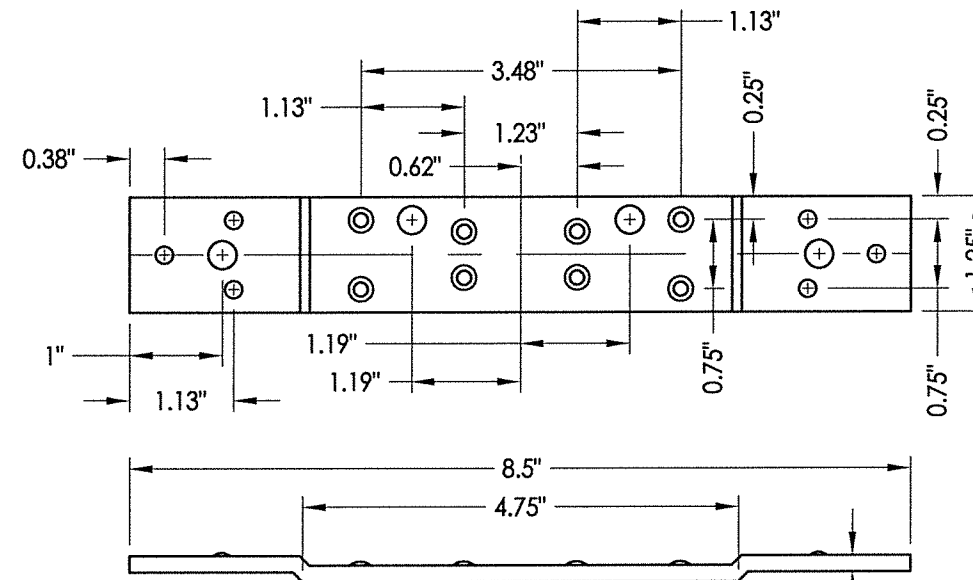
ITEM	DESCRIPTION	MATERIAL
C	MAX. 1/4" SHIM SPACE	-
E	MASONRY - 3,000 PSI MIN. CONCRETE CONFORMING TO ACI 301 OR HOLLOW BLOCK CONFORMING TO ASTM C90	CONCRETE
H	1/4" x 1-3/4" ITW PFH CONCRETE SCREW	STEEL
J	3/8" X 5" PFH ITW DYNABOLT SLEEVE ANCHOR	STEEL
M	3/8" X 5" TAPPER CONCRETE SCREW BY POWERS FASTENERS	STEEL
N	1/2" X 8" HH SCREW-BOLT+ CONC. ANCHOR (DeWALT/POWERS)	STEEL
1	"D" STEEL DOOR PANEL	-
2	DOOR SKIN - 16GA (0.060" THK. STEEL, Fy = 40,317 PSI MIN.)	STEEL
3	FOAM 1.0 PCF MIN. DENSITY	POLYSTYRENE
4	DOOR TOP & BOTTOM CLOSER	STEEL
5	LOCK BOX REINFORCEMENT	STEEL
6	DOOR STILE EDGE REINFORCEMENT (D DOOR)	STEEL
8	#12-24 x 1/2" SELF TAPPER	STEEL
9	TUBE ANCHOR	STEEL
10	#12-24 X 1" COMBINATION MACHINE / WOOD SCREW	STEEL
16	ANSI LATCH STRIKE	STEEL
17	DEADBOLT STRIKE	STEEL
19	DEADBOLT STRIKE REINFORCEMENT	STEEL
20	WEATHERSTRIP	NEOPRENE
21	4-1/2" X 4-1/2" X 0.125" TEMPLATE HINGE	STEEL
22	STANDARD (LONG) DOOR HINGE TOP HINGE REINFORCEMENT	STEEL
23	STANDARD (SHORT) DOOR HINGE MIDDLE BOTTOM REINFORCEMENT	STEEL
24	WEATHERSTRIP (THRESHOLD)	NEOPRENE
25	FRAME - 14GA (0.075" THK) WITH 2" HEAD	STEEL
26	FRAME - 14GA (0.075" THK) WITH 4" HEAD	STEEL
27	LATCH STRIKE REINFORCEMENT	STEEL
28	FRAME HINGE REINFORCEMENT	STEEL
40	THRESHOLD NATIONAL GUARD PRODUCTS, INC. #896	ALUMINUM
42	THRESHOLD PEMKO #2005V	ALUMINUM
45	95WHA DOOR SWEEP NATIONAL GUARD PRODUCTS, INC.	ALUMINUM
46	#6 X 3/4" PHILLIPS HEAD SMS	STEEL
71	DESIGN HARDWARE D1-S SERIES DEADBOLT	STEEL
72	DESIGN HARDWARE "Z" SERIES ENTRY	STEEL
76	DESIGN HARDWARE D2-S SERIES DEADBOLT	STEEL
77	DESIGN HARDWARE "X" SERIES ENTRY	STEEL
81	DOW 995 STRUCTURAL SILICONE	SILICONE
86	LITE FRAME BY AIR LOUVERS #1500-AJ-2464	STEEL
86A	LITE FRAME BY AIR LOUVERS #VFIG-HRC-2464-01	STEEL
88	#8 X 1-1/2" PPH MS	STEEL
89	SCREW COVER	STEEL



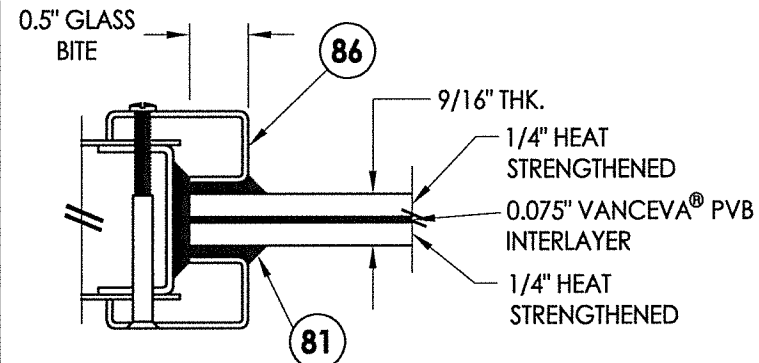
42 THRESHOLD



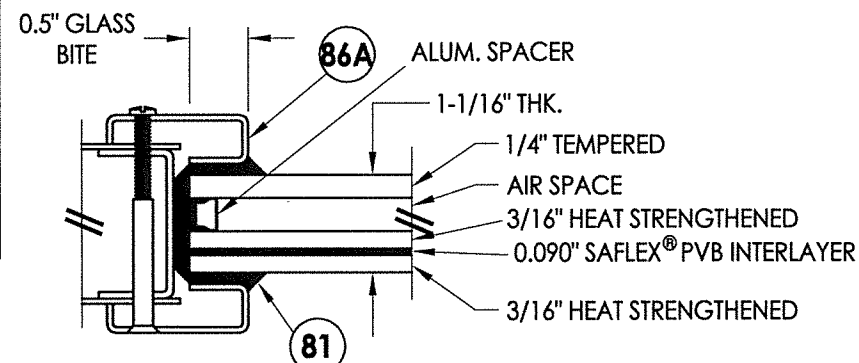
40 THRESHOLD



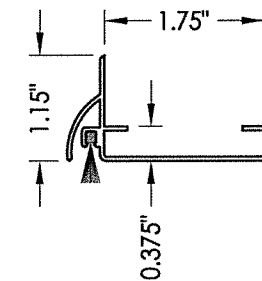
28 FRAME HINGE
Reinforcement



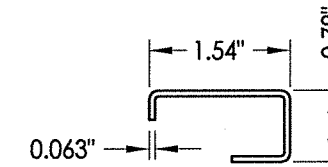
G1 GLAZING DETAIL



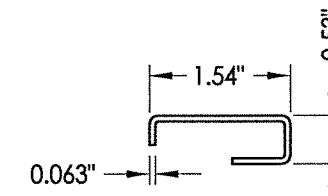
G2 GLAZING DETAIL



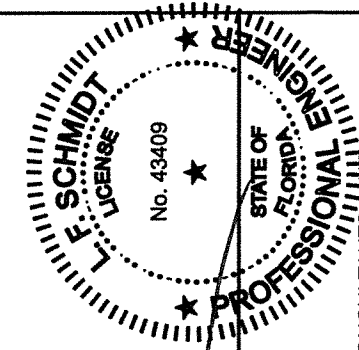
45 DOOR SWEEP



86 GLASS STOP



86A GLASS STOP



November 15, 2022
 Documents Prepared By:
 Lyndon F. Schmidt
 P.E. No. 4-3409

RW
 BUILDING CONSULTANTS, INC.
 P.O. Box 230, Vairico, FL 33595
 Phone No.: 813.659.9197
 FBPE Registry No. 9813

PRODUCT:	PREMIER PRODUCTS, INC. "D" STEEL DOOR	
PART OR ASSEMBLY:	BILL OF MATERIALS, GLAZING DETAILS & COMPONENTS	
NO.	DATE	BY
REVISIONS		
DATE:	11/10/22	
SCALE:	N.T.S.	
DWG. BY:	LFS	
CHK. BY:	RW	
DRAWING NO.:	FL-41788.18	
SHEET	7	OF 7

© 2022 R.W. BUILDING CONSULTANTS INC.